

# L21 and L22 Series



Officially Licensed  
Warning Lights Of  
NASCAR®

## 360° ENCAPSULATED UNIFORM INTENSITY SUPER-LED® BEACONS

L21LCP  
Polycarbonate  
base clear  
low dome.



L21HAP  
Polycarbonate  
base amber  
high dome.



L22HRV  
Magnetic/Suction  
mount red high dome.



**Certified SAE Class I (L21) and Class II (L22). Both models have a rated life that exceeds comparable flash tubes by more than 50:1.**

The L21 utilizes new Broadband Energy Radiator™ Technology (patent pending).

Solid-state beacons resemble traditional strobe beacons but have greater light output, lower amp draw, and longer life.

These Beacons feature generation 3.5 LED technology that rivals strobe in power.

### FEATURES

#### Both L21 and L22

- Fully encapsulated electronics are moisture and vibration resistant.
- Combination mounting: pipe, permanent or J-hook.
- Select 12 or 24 VDC.
- 100,000 hour rated life.
- SmartLED™ beacon design.
- Permanent/pipe mount supplied with 6" pigtail. Magnetic and magnetic/suction mounts supplied with 10' straight cord and cigar plug with LED "ON" indicator On/Off switch and pattern selection switch. (12 VDC models only).
- "V" models have heavy-duty magnet enhanced suction mount.
- Five-year warranty.

#### L21 Only

- Certified SAE J845 Class, Class I 360° (amber).
- Low current draw: 1.5 amp (peak), 0.6 amp (average) @ 12.8 VDC.
- 75 SignalAlert™ flashes per minute standard. Permanent mount features 24 Scan-Lock™ alternating and simultaneous flash patterns (synchronize with up to 8 beacons).
- High or low polycarbonate dome.
- Polycarbonate or cast aluminum base.
- Virtually no EMI radiation.
- Hi/Low mode available in permanent mount only.
- Permanent mount available with cruise light with four intensity levels.

#### L22 Only

- Certified SAE J845 Class, Class II 360° (amber).
- Low amp draw: 0.65 (peak), 0.26 (average) @ 12.8 VDC.
- 75 SignalAlert™ flashes per minute standard; 15 Scan-Lock™ flash patterns built-in.
- Polycarbonate base and dome (available high dome only).

Note: Magnetic or magnetic/suction mount models do not offer Scan-Lock™, cruise light, low power or SYNC functions.



L21, L22 high and low dome mirror mounts.



Whelen Products  
are proudly made  
in the U.S.A.

# WHELEN®

ENGINEERING COMPANY, INC.

Engineers for the Emergency Warning Industry

L21 & L22 SUPER-LED® SERIES BEACONS

L21 available in  
Amber and White/Clear only

L22 in Red, Amber,  
White/Clear and Blue

Form# L21221108

## L21 Beacon Models (high or low dome)

- L21H\*P:**...Combination mount, polycarbonate base, high dome, 12 VDC  
**L21H\*M:**...Magnetic mount, polycarbonate base, high dome, 12 VDC  
**L21H\*V:**...Magnetic/suction mount, polycarbonate base, high dome, 12 VDC  
**L21H\*P4:**...Combination mount, polycarbonate base, high dome, 24 VDC  
**L21L\*P:**...Combination mount, polycarbonate base, low dome, 12 VDC  
**L21L\*M:**...Magnetic mount, polycarbonate base, low dome, 12 VDC  
**L21L\*V:**...Magnetic/suction mount, polycarbonate base, low dome, 12 VDC  
**L21L\*P4:**...Combination mount, polycarbonate base, low dome, 24 VDC  
**L21H\*C:**...Combination mount, cast aluminum base, high dome, 12 VDC  
**L21H\*C4:**...Combination mount, cast aluminum base, high dome, 24 VDC  
**L21L\*C:**...Combination mount, cast aluminum base, low dome, 12 VDC  
**L21L\*C4:**...Combination mount, cast aluminum base, low dome, 24 VDC

## REPLACEMENT PARTS

**DH2000\*:**...High Dome

**DL2000\*:**...Low Dome

Replace (\*) in model numbers with letter indicating color choice: **A** = Amber, **C** = White/Clear

## L22 Beacon Models (high dome only)

- L22H\*P:**...Combination mount, polycarbonate base, 12 VDC  
**L22H\*M:**...Magnetic mount, polycarbonate base, 12 VDC  
**L22H\*V:**...Magnetic/suction mount, polycarbonate base, 12 VDC  
**L22H\*P4:**...Combination mount, polycarbonate base, 24 VDC

Replace (\*) in model numbers with letter or number indicating color choice:

**A** = Amber LED and amber dome **B** = Blue LED and blue dome **C** = White LED and clear dome  
**R** = Red LED and red dome **1** = Amber LED and clear dome **2** = Blue LED and clear dome  
**5** = Red LED and clear dome

## REPLACEMENT PART

**DH2000\*:**...High Dome

Replace (\*) in model number with letter indicating color choice: **A** = Amber, **B** = Blue, **C** = White/Clear, **R** = Red.

**NOTE:** The use of any magnetic or magnetic/suction mounted warning beacon on the vehicle while in motion, is at the discretion and risk of the user.

## L21 & 22 Options

**MMK:**.....Magnetic Kit with 8' cord and plug

**SS:**.....Sun shade, mylar

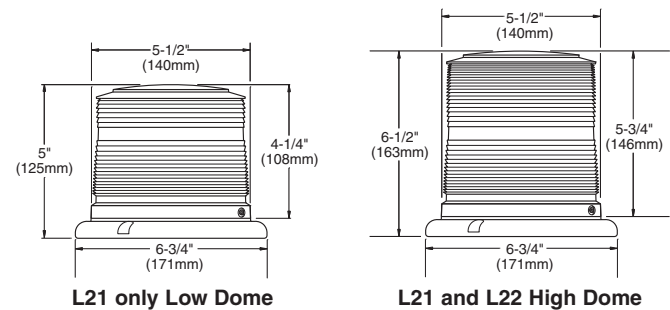
**BGL:**.....Branch guard, low dome, 6-1/2" tall with beacon

**BGH:**.....Branch guard, high dome, 7-1/2" tall with beacon

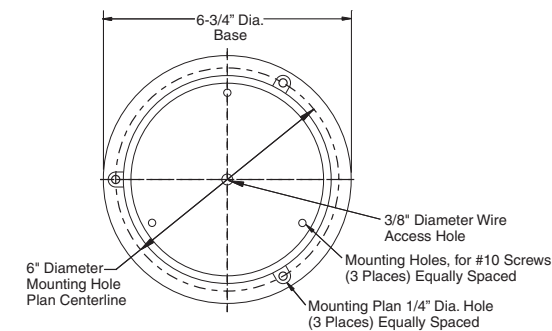
**LSK:**.....Lighted switch kit mounted on bracket, wired and fused

**MIRROR20:** Mirror mount bracket

## Dimensions



## Mounting



**Magnetic mount models do not include cruise light, low power or sync feature.**

## Available Scan-Lock™ Flash Patterns

Scan-Lock™ allows you to choose between available flash patterns.

### L21 (24 patterns)

- SignalAlert™ 75 (Phase 1)
- SignalAlert™ 75 (Phase 2)
- CometFlash® 75 (Phase 1)
- CometFlash® 75 (Phase 2)
- DoubleFlash 75 (Phase 1)
- DoubleFlash 75 (Phase 2)
- SingleFlash 75 (Phase 1)
- SingleFlash 75 (Phase 2)
- ComAlert™ 75 (Phase 1)
- ComAlert™ 75 (Phase 2)
- LongBurst™ 75 (Phase 1)
- LongBurst™ 75 (Phase 2)
- PingPong™ 75 (Phase 1)
- PingPong™ 75 (Phase 2)
- SingleFlash 60
- SingleFlash 90
- SingleFlash 120
- SingleFlash 300
- DoubleFlash 150
- ComAlert™ 150
- ActionFlash™ 1
- ActionFlash™ 2
- ModuFlash™
- ActionScan™

### L22 (15 patterns)

- SignalAlert™ 75
- SignalAlert™ 150
- SingleFlash 375
- SingleFlash 150
- SingleFlash 75
- DoubleFlash 150
- DoubleFlash 75
- CometFlash® 75
- ActionFlash™
- ModuFlash™ 70
- ComAlert™
- ActionScan™
- SignalAlert™ Steady
- Steady-Brake
- Steady

**WHELEN**®  
**ENGINEERING COMPANY, INC.**  
*Engineers for the Emergency Warning Industry*

51 Winthrop Road  
 Chester, Connecticut 06412-0684  
 (860) 526-9504 • Fax: (860) 526-4078  
 www.whelen.com



Whelen Engineering reserves the right to upgrade and improve products without notice.