

# Projector™ Series SA315P Speaker

SUPER COMPACT, MULTI-PORT 100 WATT RMS SPEAKER



SA315P with nylon composite housing

***Smaller size speaker with full size performance will mount in more locations than ever before.***

***The SA315P installs easily and delivers traffic clearing warning where it's needed: down and in front of your vehicle.***

***Complies with OSHA 1910.95 guidelines regarding "Permissible Noise Exposure".***



SA315P with vehicle specific mounting in grille of Crown Victoria.

## FEATURES

- All weather nylon composite black housing with front loaded, powder coated speaker driver.
- Superior performance in a very small profile package. Only 2-7/8" in depth.
- Exceeds California Title XIII, Class A and S.A.E. J1849 requirements with most 100 watt sirens (120-123dB @10').
- Optimum performance assured when used with all Whelen high-power electronic sirens.
- Easily installs to the radiator cross member in just a few minutes (without dismantling the front grille of the vehicle).
- Truer tone quality and wider/higher frequency response than speakers of comparable size.
- Universal mounting bracket, plus vehicle specific brackets available.
- Compact size is ideal for concealed installations in any type vehicle.
- Two year standard Whelen warranty.



Photo shows mounting placement of SA315P between grille and radiator.



***All Whelen Products  
are Proudly  
Designed & Manufactured  
in the U.S.A.\****

Form# S3151007

**WHELEN®**  
Engineers for the Emergency Warning Industry

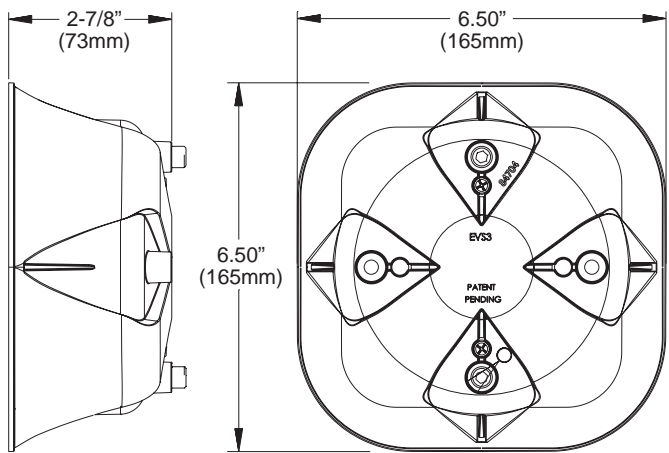
## MODEL SA315P

SA315P .....123dB speaker, nylon composite



Dodge Truck with vehicle specific mounting of SA315P in grille.

## SPECIFICATIONS



Weight: 4 lbs. 11 oz. (2.12kg)

## AVAILABLE MOUNTINGS

### UNIVERSAL MOUNTINGS

SAK9 .....Universal/swivel bail type mount bracket

### VEHICLE SPECIFIC MOUNTING BRACKETS

- SAK1 .....Ford Explorer, 2002-2007,  
Chevy Suburban/Tahoe, 2004-2006,  
Dodge Charger, 2005-2006
- SAK5 .....Chevy Suburban/Tahoe, 2000-2003,  
Chevrolet Avalanche, 2002-2007,  
GMC Envoy, 2004-2007
- SAK10 .....Ford Excursion, 2002-2006
- SAK11 .....Chevy Trail Blazer, 2002-2007
- SAK13 .....Ford Expedition, 2003-2006
- SAK14 .....Ford Taurus with ABS, 2002-2006
- SAK17 .....Quick Installation for Ford Crown Victoria,  
2003-2008
- SAK18 .....Dodge Magnum, 2005-2007
- SAK20 .....Ford Escape, 2004-2007
- SAK21 .....Chevy Impala (police package) 2006-2007
- SAK22 .....Ford 500, 2005-2007
- SAK23 .....Ford Expedition, 2007
- SAK24 .....Chevy Suburban/Tahoe, 2007
- SAK25 .....Chevy Express Van, 2006-2007
- SAK26 .....Dodge Sprinter, Driver side
- SAK27 .....Dodge Sprinter, Passenger side
- SAK28\* .....Ford 2008 "F" Series Super-Duty, Driver Side
- SAK29\* .....Ford 2008 "F" Series Super-Duty,  
Passenger Side
- SAK30 .....Ford Taurus, 2008
- SAK31 .....Ford Fusion, 2007

\* Requires removal of factory fog lights, if equipped.



SA315P with mounting bracket.

**WHELEN**<sup>®</sup>  
ENGINEERING COMPANY, INC.

Route 145, Winthrop Road  
Chester, Connecticut 06412-0684  
(860) 526-9504 • Fax: (860) 526-4078  
www.whelen.com



Whelen Engineering  
reserves the right to  
upgrade and  
improve products  
without notice.