

NEW PRODUCT!
PRELIMINARY BULLETIN

Talon™ Series

SELF-CONTAINED Linear8™ Super-LED™ DASH AND DECK LIGHTS



Talon™

Don't let the small size fool you. This compact, lightweight warning light packs full-size Linear8 Super-LED power that rivals strobe in intensity! Now you can have serious warning protection in a package that's easy to mount or transfer from vehicle to vehicle.

FEATURES

- Single module weighs only 13.5 ozs.
- Single or dual module, Linear8 Super-LEDs.
- Selection switch for 21 flash patterns on dual model, and 12 patterns on single model is located on the back of the lighthead.
- Swivel bail bracket with suction cups, standard.
- Eight foot straight cord with cigar plug On/Off switch and LED indicator.
- Snap-on polycarbonate hood secures with two screws, minimizing flashback to the operator.
- Lightweight but sturdy, rated for 100,000 hours of operation.
- Polycarbonate assembly is safer in vehicle in the event of an accident or airbag deployment.
- Small size and clear outer lens make Talon barely detectable until powered on.

MODELS

TLN1*: Single LED module in amber, blue, red, or clear/white.

TLN2**: Dual modules, choice of amber, blue, red, and/or clear/white.

*Replace symbol in model number with letter indicating choice of color: A = Amber, B = Blue, R = Red, C = Clear/White.



Mounted with suction cups on windshield.



Mounted on rear deck.



Designed & Manufactured in the U.S.A.



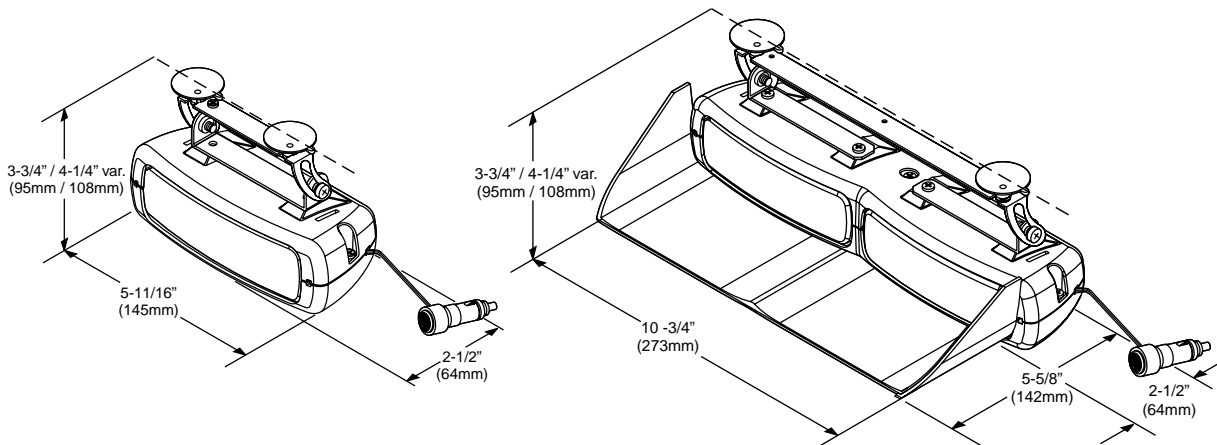
Available in red, amber, clear, blue

Form# TALO0403

WHELEN®
Engineers for the Emergency Warning Industry

TALON™ SERIES - Super-LED™ DASH & DECK LIGHTS

Talon™ Series Specifications



SINGLE Available Flash Patterns

SignalAlert™ 7575 flashes per minute followed by Steady Burn
SignalAlert™ 150150 flashes per minute (FPM)
RapidFire™ 375375 FPM
RapidFire™ 150150 FPM
RapidFire™ 7575 FPM
RapidFire™ 1515 FPM
DoubleFlash™ 150150 double flashes per minute (DFPM)
DoubleFlash™ 7575 DFPM
CometFlash® 7575 FPM
ActionFlash™2 CometFlash - 4 x 150 SFPM - 2 CometFlash
ModuFlash™75 to 360 FPM
ComAlert 7575 FPM
ActionScan™2 of each pattern - Steady Burn - 2 of each pattern
SignalAlert™ SteadySignal Alert - Steady Burn - Signal Alert
SteadySteady Burn

DOUBLE Available Flash Patterns

RapidFire™ 680680 flashes per minute (FPM)
RapidFire™ 240240 FPM
RapidFire™ 120120 FPM
Simultaneous RapidFire™ 150150 FPM*
DoubleFlash™ 240240 double flashes per minute (DFPM)
DoubleFlash™ 120120 DFPM
Simultaneous DoubleFlash™ 150150 DFPM*
CometFlash®120 Cometflashes (4 flashes) per minute (CFPM)
Simultaneous CometFlash®120 CFPM*
ActionFlash™2 alternating 120 CFPM, 4 alternating 240 FPM
Simultaneous ActionFlash™2 alternating 120 CFPM, 4 simultaneous 240 FPM*
ModuFlash™120 to 360 FPM
Simultaneous ModuFlash™120 to 360 FPM*
SignalAlert™ 120120 FPM
Simultaneous SignalAlert™120 FPM*
ScanFlash2 cycles of every pattern
CalFlash2 cycles of 60 FPM, 2 cycles of 120 FPM
California Steady w/RapidFire™ 240240 DFPM
California Steady w/CalFlash340 FPM
California CometFlash®120 CFPM
California ActionFlash™2 alternating 120 CFPM, 4 alternating 240 FPM

*For double lightheads: The chosen flash pattern will alternate from one lighthead to the other. With a simultaneous flash pattern both lightheads will flash with that pattern simultaneously.

To cycle forward through flash patterns:

Press pattern button for less than 1 second and release. Repeat for next pattern.

To choose a pattern:

While cycling through the patterns, allow a pattern to run for more than 5 seconds, this will become the default pattern.

To cycle backwards through all flash patterns:

Press pattern button for more than 1 second and release.

To reset to the first pattern:

Hold the pattern button down and turn the power on. Hold for more than 3 seconds and release.



Route 145, Winthrop Road
 Chester, Connecticut 06412-0684
 (860) 526-9504 • Fax: (860) 526-4078
 www.whelen.com



Whelen Engineering reserves the right to upgrade and improve products without notice.

© 2003 Whelen Engineering Company, Inc. Form No.11467A-0403