

Universal LED Hideaway™ (Patent Pending)

HEADLIGHT, CORNERING LIGHT OR TAILLIGHT ASSEMBLY SYSTEMS



The versatile answer for putting LED power performance in the headlight and taillight assemblies of your vehicle!

The Universal LED Hideaway requires only a tiny 3/4" hole in any composite style headlight, cornering light, or taillight assembly. Small size means mounting versatility in almost any vehicle! And, the new high intensity LED light source provides omni-directional light that fills the reflector and delivers true wide angle warning to the front and rear of your vehicle.

FEATURES

- 85 Scan-Lock™ flash patterns to choose from.
- Die-cast aluminum base.
- Tiny 3/4" mounting hole.
- Backward compatible to HA238 and standard 1" Hideaway style lights.
- Fully encapsulated lamp driver.
- Six position waterproof connectors, standard.
- Omni-directional LED lighthouse fills reflector and delivers true wide-angle light.
- Encapsulated for moisture and vibration resistance.
- Available in red, amber, white, and blue. Note: for use in taillights, please specify red LEDs only.
- Includes connector cables.
- Dimensions: 1-7/8" (47mm) H x 1-1/4" (32mm) Dia.

MODELS

LAW2:** Two lamp, single color system, includes one 6' cable, one 10' cable, and a 2 outlet lamp driver.

LAW4**:** Four lamp, single color system, includes two 6' cables, two 10' cables, and a 4 outlet lamp driver.

REPLACEMENT PARTS & OPTIONS

LAW*: Replacement LED Hideaway lamp Amber, Blue Red or white. (Replacement lamp only)

LAW615: Substitute a 15' cable for the standard 6' cable.

LAW1015: Substitute a 15' cable for the standard 10' cable.

LAW620: Substitute a 20' cable for the standard 6' cable.

LAW1020: Substitute a 20' cable for the standard 10' cable.

LAW625: Substitute a 25' cable for the standard 6' cable.

LAW1025: Substitute a 25' cable for the standard 10' cable.

Replace * in model number with color desired:
A=Amber, B=Blue, C=White, R= Red



Available in Red, Amber, White & Blue

Form# ULH0308



All Whelen Products are proudly made in the U.S.A. *

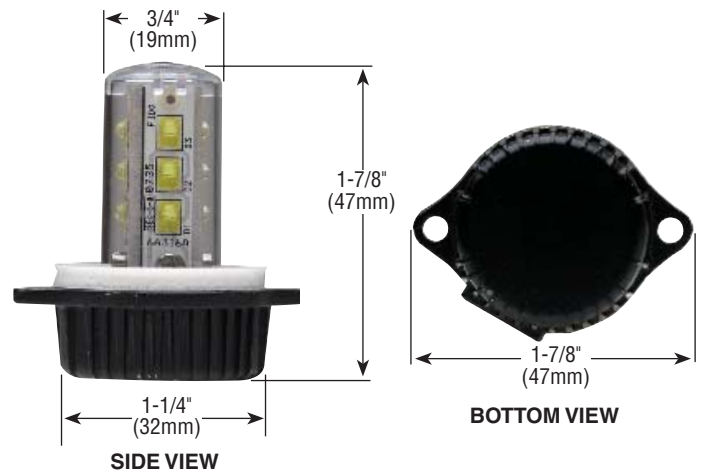
WHELEN®
Engineers for the Emergency Warning Industry

Universal LED Hideaway™ Specifications

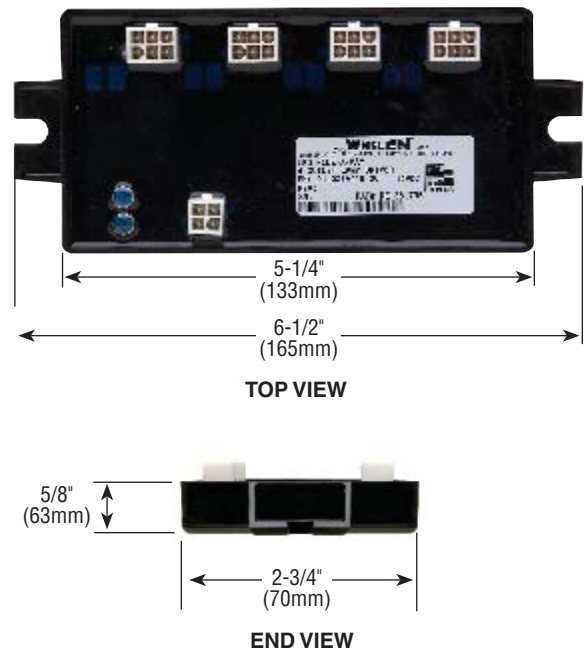
Flash Patterns

PATTERN NO.	PATTERNS	SYNCHRONIZE	SEQUENCE
1-4	SignalAlert™ 75	yes	1/2/3/4
5-8	CometFlash® 75	yes	1/2/3/4
9-12	DoubleFlash 75	yes	1/2/3/4
13-16	SingleFlash 75	yes	1/2/3/4
17-20	ComAlert™ 75	yes	1/2/3/4
21-24	LongBurst™ 75	yes	1/2/3/4
25-28	PingPong™ 75	yes	1/2/3/4
29-32	SingleFlash 60	no	1/2/3/4
33-36	SingleFlash 90	no	1/2/3/4
37-40	SingleFlash 120	no	1/2/3/4
41-44	SingleFlash 300	no	1/2/3/4
45-48	DoubleFlash 150	no	1/2/3/4
49-52	ComAlert 150	no	1/2/3/4
53-56	ActionFlash™ 50	no	1/2/3/4
57-60	ActionFlash 150	no	1/2/3/4
61-64	ModuFlash™	no	1/2/3/4
65-68	ActionScan™	no	1/2/3/4
69	SignalAlert 75	yes	5
70	CometFlash 75	yes	5
71	DoubleFlash 75	yes	5
72	SingleFlash 75	yes	5
73	ComAlert 75	yes	5
74	LongBurst 75	yes	5
75	PingPong 75	yes	5
76	SingleFlash 60	no	5
77	SingleFlash 90	no	5
78	SingleFlash 120	no	5
79	SingleFlash 300	no	5
80	DoubleFlash 150	no	5
81	ComAlert 150	no	5
82	ActionFlash 50	no	5
83	ActionFlash 150	no	5
84	ModuFlash	no	5
85	ActionScan	no	5

Hideaway



Lamp Driver (4 outlet shown)



Outlet Sequencing

SEQUENCE	PHASE 1		PHASE 2
1	1 & 2	ALT	3 & 4
2	3 & 4	ALT	1 & 2
3	1 / 2 / 3 / 4	ALT	-
4	-	ALT	1 / 2 / 3 / 4
5	1 & 3	ALT	2 & 4

WHELEN[®]
ENGINEERING COMPANY, INC.

51, Winthrop Road
Chester, Connecticut 06412-0684
(860) 526-9504 • Fax: (860) 526-4078
www.whelen.com



Whelen Engineering reserves the right to upgrade and improve products without notice.

© 2008 Whelen Engineering Co., Inc. Printed in U.S.A.
Whelen Engineering Inc. reserves the right to upgrade and improve products without notice.
NASCAR® is a registered trademark of the National Association for Stock Car Auto Racing, Inc.
*Some back-up alarms are made in Canada for Whelen.
Code No. 12075D-0308